

PLEASE CHECK WWW.MOLEX.COM FOR LATEST PART INFORMATION

Part Number: [0548190572](#)
Status: **Active**
Description: USB On-The-Go (OTG) Mini-B Receptacle, Right Angle, SMT Solder Tails and Shell Tabs, with Cover Tape, Lead-free

Documents:

[3D Model](#) [Product Specification PS-56579-015 \(PDF\)](#)
[Drawing \(PDF\)](#) [RoHS Certificate of Compliance \(PDF\)](#)

Agency Certification

UL E29179

General

Product Family I/O Connectors
 Series [54819](#)
 Application Wire-to-Board
 Component Type Receptacle
 Product Name USB, USB OTG (On-The-Go)
 Type Mini-B

Physical

Circuits (Loaded) 5
 Circuits (maximum) 5
 Color - Resin Black
 Flammability 94V-0
 Lock to Mating Part Yes
 Material - Metal High Performance Alloy (HPA)
 Material - Plating Mating Gold
 Material - Plating Termination Tin
 Material - Resin High Temperature Thermoplastic
 Orientation Right Angle
 PCB Locator No
 PCB Retention Yes
 Packaging Type Embossed Tape on Reel
 Panel Mount No
 Pitch - Mating Interface (in) 0.031 In
 Pitch - Mating Interface (mm) 0.80 mm
 Plating min: Mating (µin) 30.4
 Plating min: Mating (µm) 0.76
 Plating min: Termination (µin) 40
 Plating min: Termination (µm) 1
 Polarized to Mating Part Yes
 Surface Mount Compatible (SMC) N/A
 Temperature Range - Operating 0°C to +50°C
 Termination Interface: Style Surface Mount
 Wire Size AWG N/A

Electrical

Current - Maximum per Contact 1A
 Shielded Yes
 Voltage - Maximum 30V

Material Info

Reference - Drawing Numbers

Product Specification PS-56579-015, RPS-54819-019, RPS-54819-020, RPS-54819-022, RPS-54819-024, RPS-54819-026,

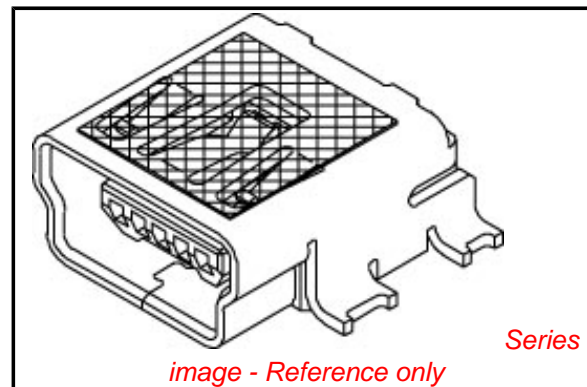


image - Reference only

EU RoHS

ELV and RoHS Compliant
REACH SVHC
 Not Reviewed
Halogen-Free Status
 Not Reviewed

China RoHS



Need more information on product environmental compliance?

Email productcompliance@molex.com
 For a multiple part number RoHS Certificate of Compliance, [click here](#)

Please visit the [Contact Us](#) section for any non-product compliance questions.

Search Parts in this Series

[54819Series](#)

Mates With

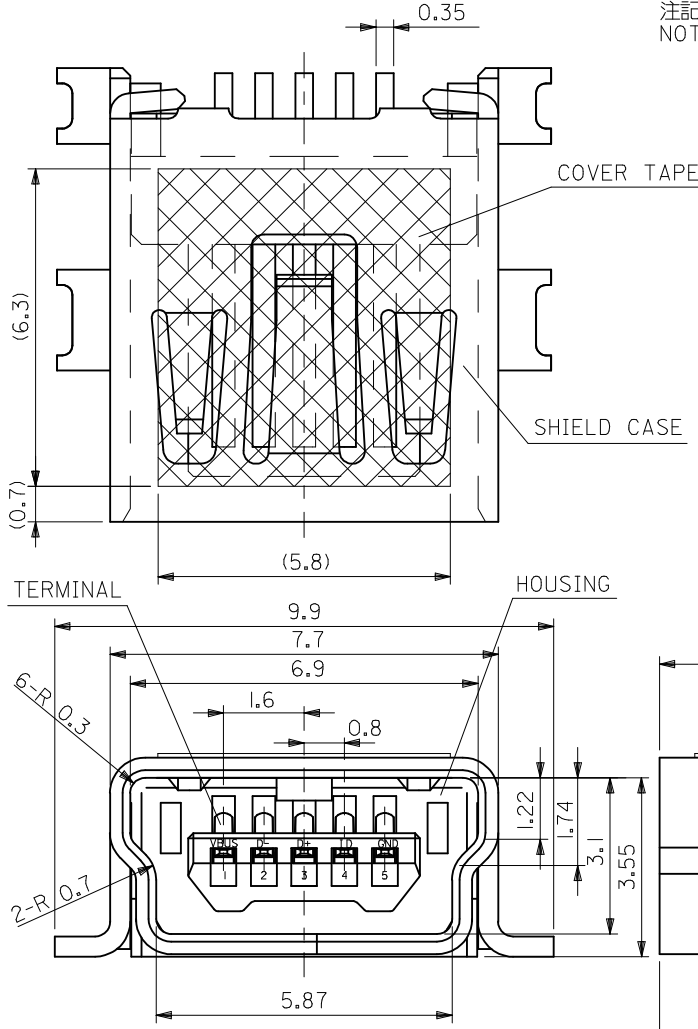
[59204-9401](#) , [59205-3301](#)

Sales Drawing

RPS-54819-029, RPS-54819-030, RPS-56579-004,
RPS-56579-007, RPS-56579-009, RPS-56579-010
SD-54819-027, SD-54819-028

This document was generated on 03/31/2010

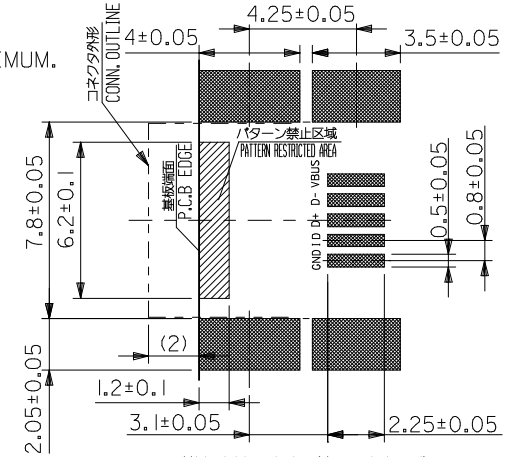
PLEASE CHECK WWW.MOLEX.COM FOR LATEST PART INFORMATION



注記 1. 材質
 NOTES MATERIAL
 ハウジング: ポリアミド, ガラス充填, 黒色, UL94V-0
 HOUSING: PA, GLASS FILLED, BLACK, UL94V-0
 ターミナル: 銅合金 (t=0.2)
 TERMINAL: COPPER ALLOY(t=0.2)
 シールド ケース: 銅合金 (t=0.4)
 SHIELD CASE: COPPER ALLOY(t=0.4)
 カバー テープ: ポリイミド (t=0.08)
 COVER TAPE: POLYIMIDE(t=0.08)

2. メッキ仕様
 PLATING
 ターミナル
 TERMINAL
 接点部: 金メッキ 0.75 MICROMETER MIN.
 CONTACT AREA: GOLD 0.75 MICROMETER MINIMUM.
 半田付け部: 錫メッキ 無光沢 1.0 MICROMETER MIN.
 SOLDER TAIL AREA: MATTE TIN 1.0 MICROMETER MINIMUM.
 下地部: ニッケルメッキ 4.0 MICROMETER MIN.
 UNDER PLATING: NICKEL 4.0 MICROMETER MINIMUM.
 シールド ケース
 SHIELD CASE
 : 錫メッキ 半光沢 1.0 MICROMETER MIN.
 : SEMI-MATTE TIN 1.0 MICROMETER MINIMUM.
 下地部: ニッケルメッキ 4.0 MICROMETER MIN.
 UNDER PLATING: NICKEL 4.0 MICROMETER MINIMUM.

3. テール、ネイル平坦度は0.1mm MAX.
 TAIL, NAIL COPLANARITY 0.1mm MAX.
 4. 本製品は54819-0571の鉛フリー品である。
 THIS PRODUCT IS LEAD FREE OF 54819-0571.

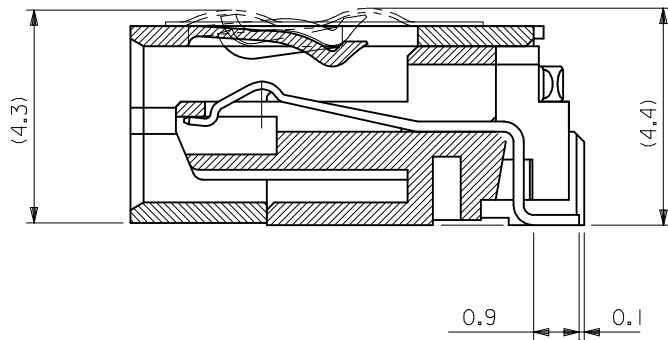


推奨基板寸法 (部品実装側)
 RECOMMENDED P.C.B. PATTERN LAYOUT (PART MOUNT SIDE)

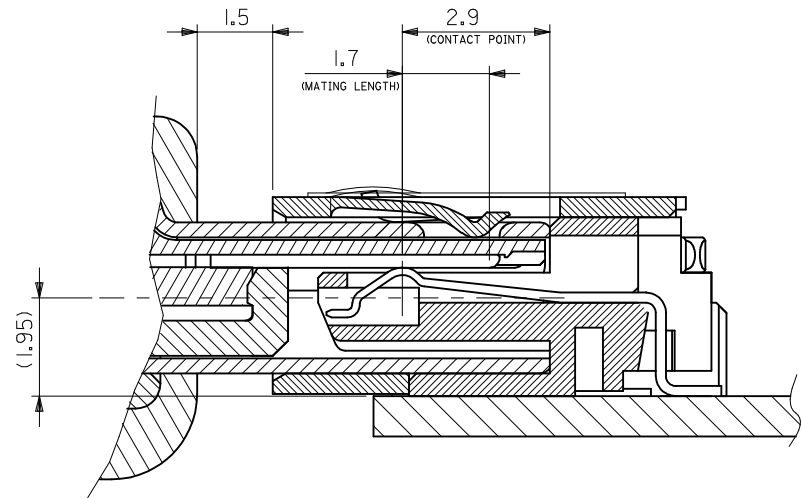
54819-0572	54819-0579
EMBOSSED TAPE	MATERIAL No.
ORDER No.	
MODEL No.54819-**-79	

REVISED EC NO: J2009-1533 DR: W.ESATO 2009/06/25 CHKD: H.MATSUMOTO 2009/06/25 APPR: NUKITA 2009/06/25	GENERAL TOLERANCES (UNLESS SPECIFIED)		DIMENSION STYLE	SCALE	DESIGN UNITS	TITLE USB SERIES MINI-B RECEPTACLE ASS'Y FOR SMT -LEAD FREE- MOLEX INCORPORATED DOCUMENT NO. SD-54819-027 SHEET NO. 1 OF 2
			MM ONLY	10:1	METRIC	
	10 UNDER	±0.2	DRAWN BY	DATE	TITLE	
	10 OVER 30 UNDER	±0.25	H. KAWABATA	2004/05/21		
	30 OVER	±0.3	CHECKED BY	DATE		
		K. TOJO	2004/05/21			
		APPROVED BY	DATE			
		M. SASAO	2004/05/21			
		MATERIAL NO.				
		SEE TABLE				
		SIZE	THIS DRAWING CONTAINS INFORMATION THAT IS PROPRIETARY TO MOLEX INCORPORATED AND SHOULD NOT BE USED WITHOUT WRITTEN PERMISSION			
		A3				

10 9 8 7 6 5 4 3 2 1



SECTION



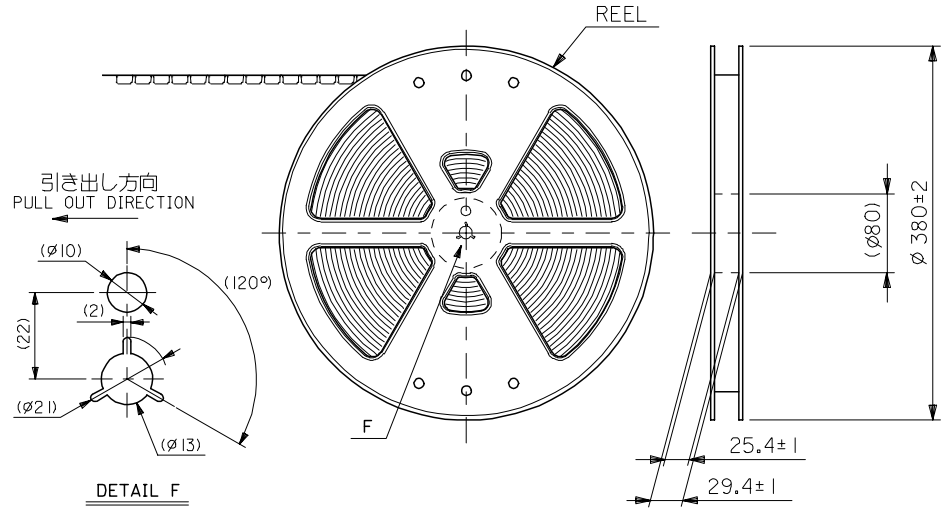
MATING

MODEL NO. 54819-**79

REVISED EC NO: J2009-1533 DRW:ESATO 2009/06/25 CHK:D:HMATSUMOTO 2009/06/25 APPR:NUKITA 2009/06/25	GENERAL TOLERANCES (UNLESS SPECIFIED)		DIMENSION STYLE MM ONLY		SCALE 10:1	DESIGN UNITS METRIC	THIRD ANGLE PROJECTION	
	10 UNDER	± 0.2	DRAWN BY H. KAWABATA	DATE 2004/05/21	TITLE USB SERIES MINI-B RECEPTACLE ASS'Y FOR SMT -LEAD FREE-			
	10 OVER 30 UNDER	± 0.25	CHECKED BY K. TOJO	DATE 2004/05/21				
	30 OVER	± 0.3	APPROVED BY M. SASAO	DATE 2004/05/21	MOLEX INCORPORATED DOCUMENT NO. SD-54819-027 SHEET NO. 2 OF 2			
	ANGULAR ±3 °		MATERIAL NO. SEE SHEET 1					
DRAFT WHERE APPLICABLE MUST REMAIN WITHIN DIMENSIONS		THIS DRAWING CONTAINS INFORMATION THAT IS PROPRIETARY TO MOLEX INCORPORATED AND SHOULD NOT BE USED WITHOUT WRITTEN PERMISSION						

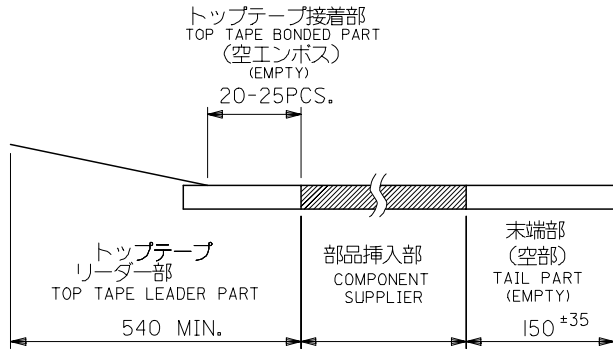
10 9 8 7 6 5 4 3 2 1

F
E
D
C
B
A



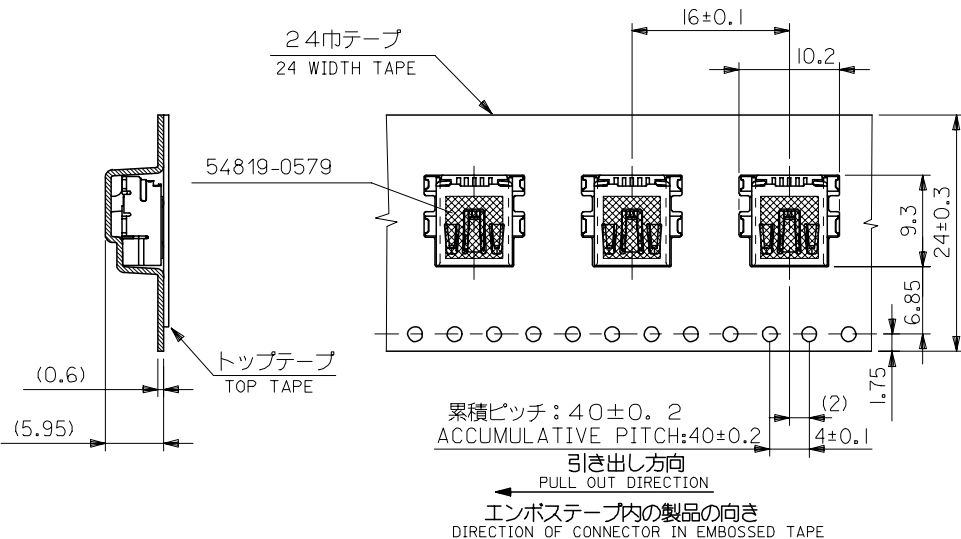
NOTES

- 54819-0579の詳細はSD-54819-027参照
IN THE PACKAGE PART NO.54819-0579 DETAILED, SEE SD-54819-027
- 梱包数量: 800 個/リール
NUMBER OF CONNECTORS: 800 PCS/REEL
- リードテープ長さ
LEAD TAPE LENGTH



DETAIL F

- トップテープの剥離強度: 0.1~ 1.3 N { 10~130gf }
(剥離方向は下図参照) キャリアテープ幅: 24mm
CARRIER TAPE WIDTH
PEEL-OFF FORCE OF TOP TAPE: 0.1~1.3 N { 10~130gf }
(PEELING DIRECTION AS SHOWN IN FOLLOWING FIG.)
尚、本規格値は、出荷時に適用。
THIS REQUIREMENT SHOULD BE APPLIED AT SHIPMENT
(但し、輸送時に剥離が発生しない事。)
(PEEL OFF SHOULD NOT BE ALLOWED, DURING TRANSPORTATION)
-



- 材料
MATERIAL
キャリアテープ: ポリプロピレン
CARRIER TAPE: POLYPROPYLENE
トップテープ: ポリエステル, ポリエチレン
TOP TAPE: POLYESTER, POLYETHLENE
リール: ポリスチレン
REEL: POLYSTYRENE
- 本製品は 54819-0578 の鉛フリー品である。
THIS PRODUCT IS LEAD FREE OF 54819-0578.

54819-0572
MATERIAL NO.

REVISED EC NO: J2006-0378 DRWN: YANAGI MOTO 2005/08/03 CHKD: TANAKA 2005/08/03 APPR: NUKITA 2005/08/17	GENERAL TOLERANCES (UNLESS SPECIFIED)		DIMENSION STYLE MM ONLY		MODEL NO.	54819-**72	SCALE 2:1		DESIGN UNITS METRIC	THIRD ANGLE PROJECTION	
	10 UNDER	±0.2	DRAWN BY DATE H. KAWABATA 2004/05/21		TITLE USB SERIES MINI-B REC.HS'G EMBOSSED ASS'Y -LEAD FREE-						
	10 OVER 30 UNDER	±0.25	CHECKED BY DATE K. TOJO 2004/05/21								
	30 OVER	±0.3	APPROVED BY DATE M. SASAO 2004/05/21		MOLEX INCORPORATED						
1	ANGULAR	±3 °	DRAFT WHERE APPLICABLE MUST REMAIN WITHIN DIMENSIONS		MATERIAL NO. SEE CHART		DOCUMENT NO. SD-54819-028		SHEET NO. 1 OF 1		